

QUAD TRON, INC.

2540 W. Maple Avenue
Feasterville, PA 19053

Phone: (215) 757-4200
Fax: (215) 757-6314
www.quadtron.com

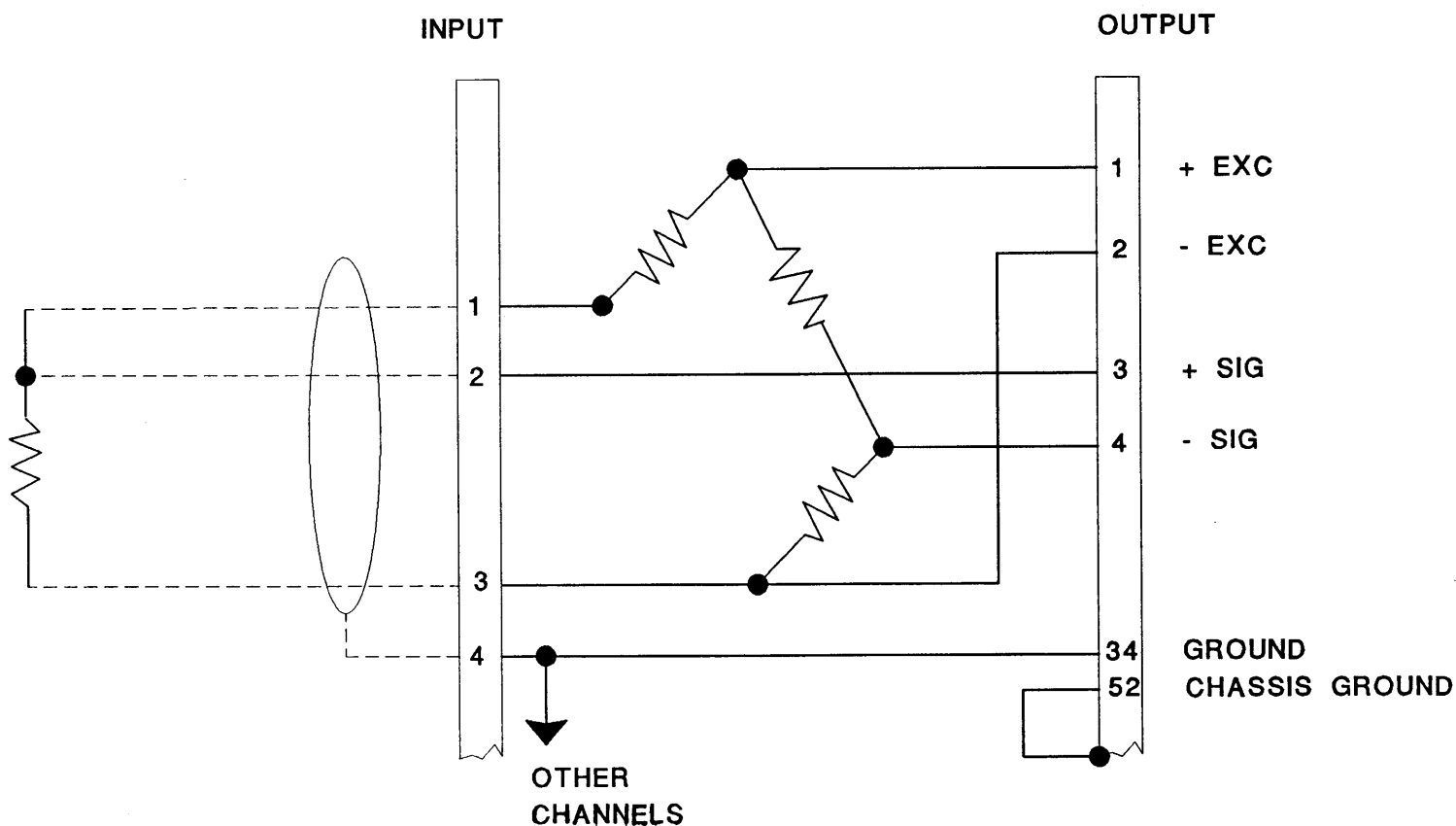
12 CHANNEL BRIDGE COMPLETION BOX
MODEL BRC-350 OHMS
MODEL BRC-120 OHMS
RESISTOR VALUES: 350 OHMS OR 120 OHMS

RESISTOR CHARACTERISTICS:

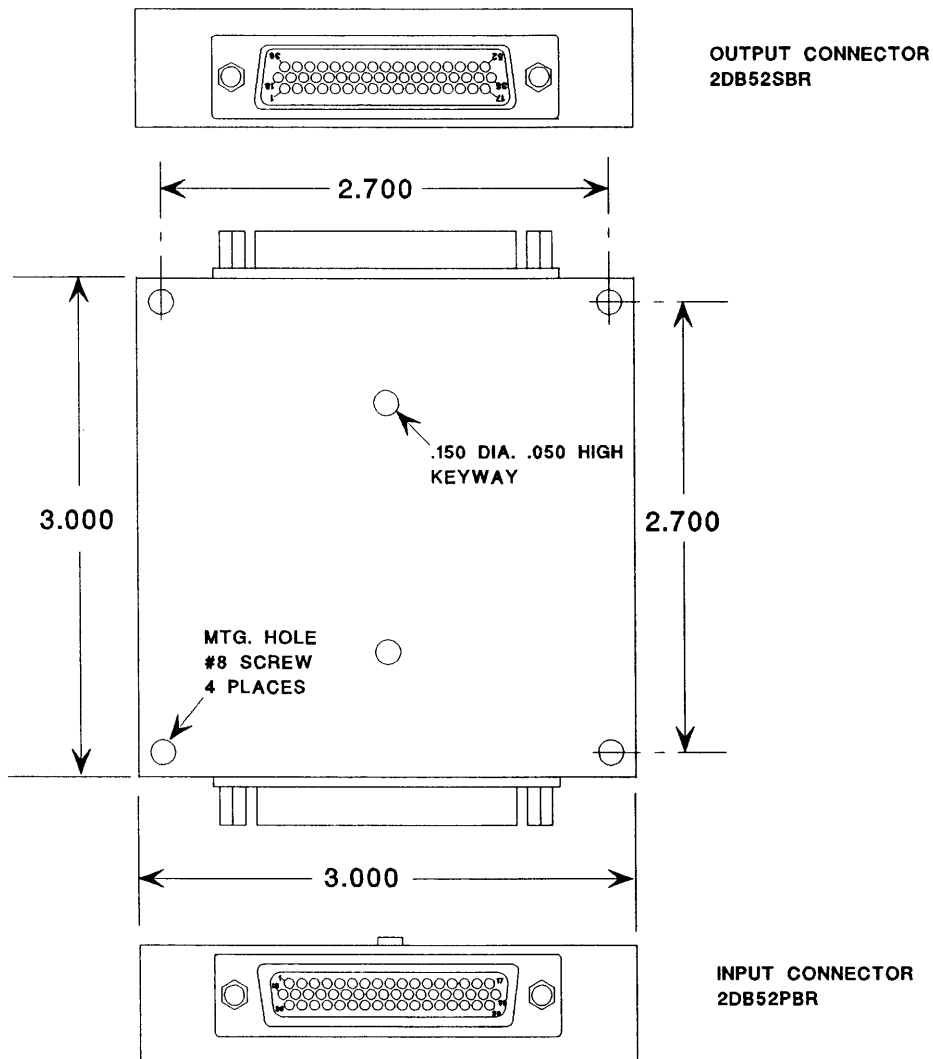
1/4 WATT

0.1% TOLERANCE

25 PPM



REVISIONS			
REV.	DESCRIPTION	DATE	APPROVED



CONTRACT NO.

QUAD TRON INC.

APPROVALS

DATE

DRAWN

gmc

2-6-07

BRIDGE BOX - 350 OHMS

CHECKED

RJH

2-7-07

SIZE
A

FSOH NO.
OBPE4

DWG. NO.
48-2596

REV.
-

ISSUED

jan

2-7-07

FILE \GCD\350OHM

SHEET 1 OF 1

12 CHANNEL BRIDGE COMPLETION
INPUT CONNECTOR: CANNON 2DB52PBR

PINS:

1. +SIGA_1
2. +SIG_1
3. -EXC_1
4. GND
5. +SIGA_2
6. +SIG_2
7. -EXC_2
8. GND
9. +SIGA_3
10. +SIG_3
11. -EXC_3
12. GND
13. +SIGA_4
14. +SIG_4
15. -EXC_4
16. GND
17. GND
18. +SIGA_5
19. +SIG_5
20. -EXC_5
21. GND
22. +SIGA_6
23. +SIG_6
24. -EXC_6
25. GND
26. +SIGA_7
27. +SIG_7
28. -EXC_7
29. GND
30. +SIGA_8
31. +SIG_8
32. -EXC_8
33. GND
34. GND
35. GND
36. +SIGA_9
37. +SIG_9
38. -EXC_9
39. GND
40. +SIGA_10
41. +SIG_10
42. -EXC_10
43. GND
44. +SIGA_11
45. +SIG_11
46. -EXC_11
47. GND
48. +SIGA_12
49. +SIG_12
50. -EXC_12
51. GND
52. GND

OUTPUT CONNECTOR: CANNON 2DB52SBR

PINS:

1. +EXC_1
2. -EXC_1
3. +SIG_1
4. -SIG_1
5. +EXC_2
6. -EXC_2
7. +SIG_2
8. -SIG_2
9. +EXC_3
10. -EXC_3
11. +SIG_3
12. -SIG_3
13. +EXC_4
14. -EXC_4
15. +SIG_4
16. -SIG_4
17. GND
18. +EXC_5
19. -EXC_5
20. +SIG_5
21. -SIG_5
22. +EXC_6
23. -EXC_6
24. +SIG_6
25. -SIG_6
26. +EXC_7
27. -EXC_7
28. +SIG_7
29. -SIG_7
30. +EXC_8
31. -EXC_8
32. +SIG_8
33. -SIG_8
34. GND
35. GND
36. +EXC_9
37. -EXC_9
38. +SIG_9
39. -SIG_9
40. +EXC_10
41. -EXC_10
42. +SIG_10
43. -SIG_10
44. +EXC_11
45. -EXC_11
46. +SIG_11
47. -SIG_11
48. +EXC_12
49. -EXC_12
50. +SIG_12
51. -SIG_12
52. CHASSIS_GND